

# SEACHEST STRAINERS-FILTER ELEMENTS



MADE IN CHINA

CHINA JIANGSU ● YANGZHOU FEIHANG  
SHIP ACCESSORIES FACTORY





# PARAMETER SELECTIONTABLE

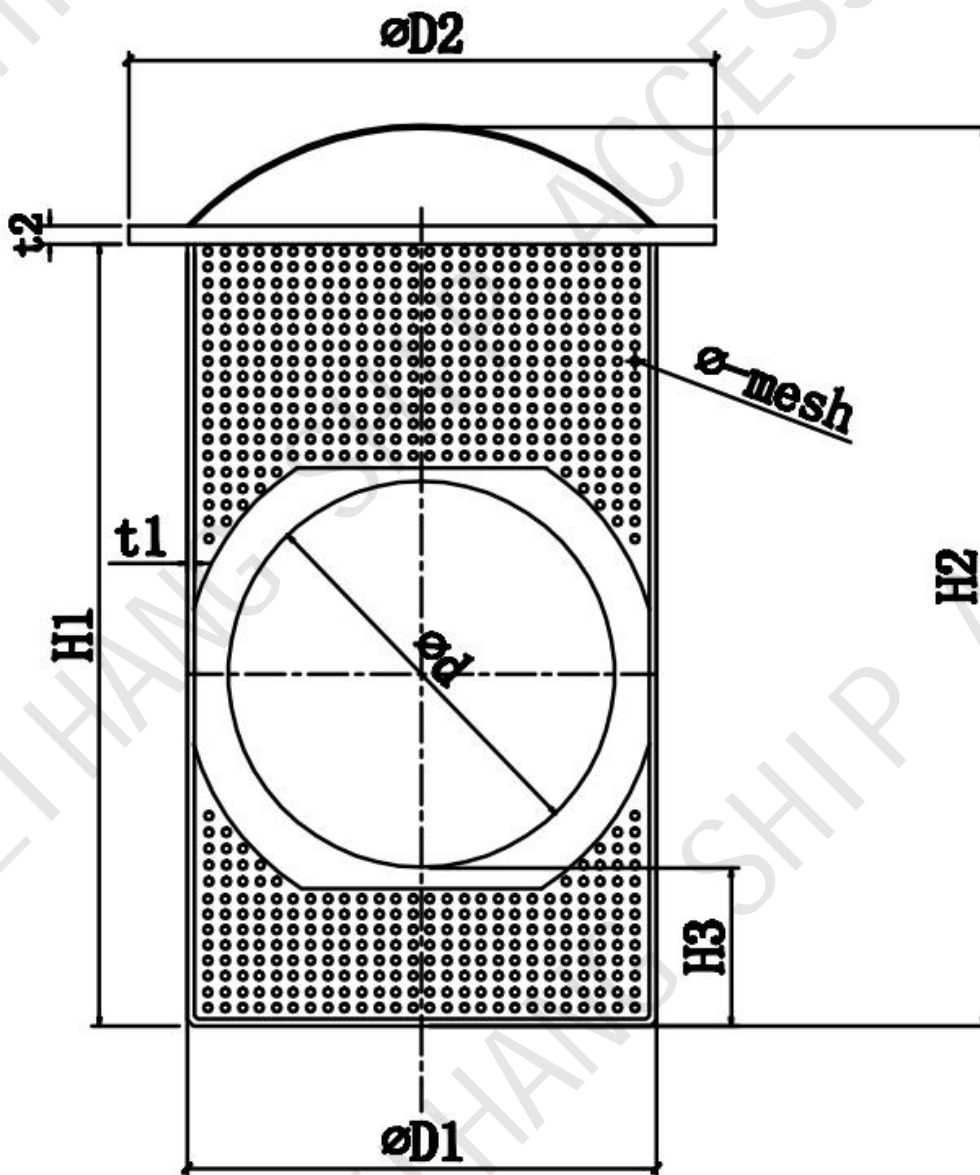
<BASKET TYPE>

<IMPA872021-872034>

FILTER ELEMNET FOR CAN WATER FILTER

BASED ON JIS F7121

*Please provide the size according to the model drawing*



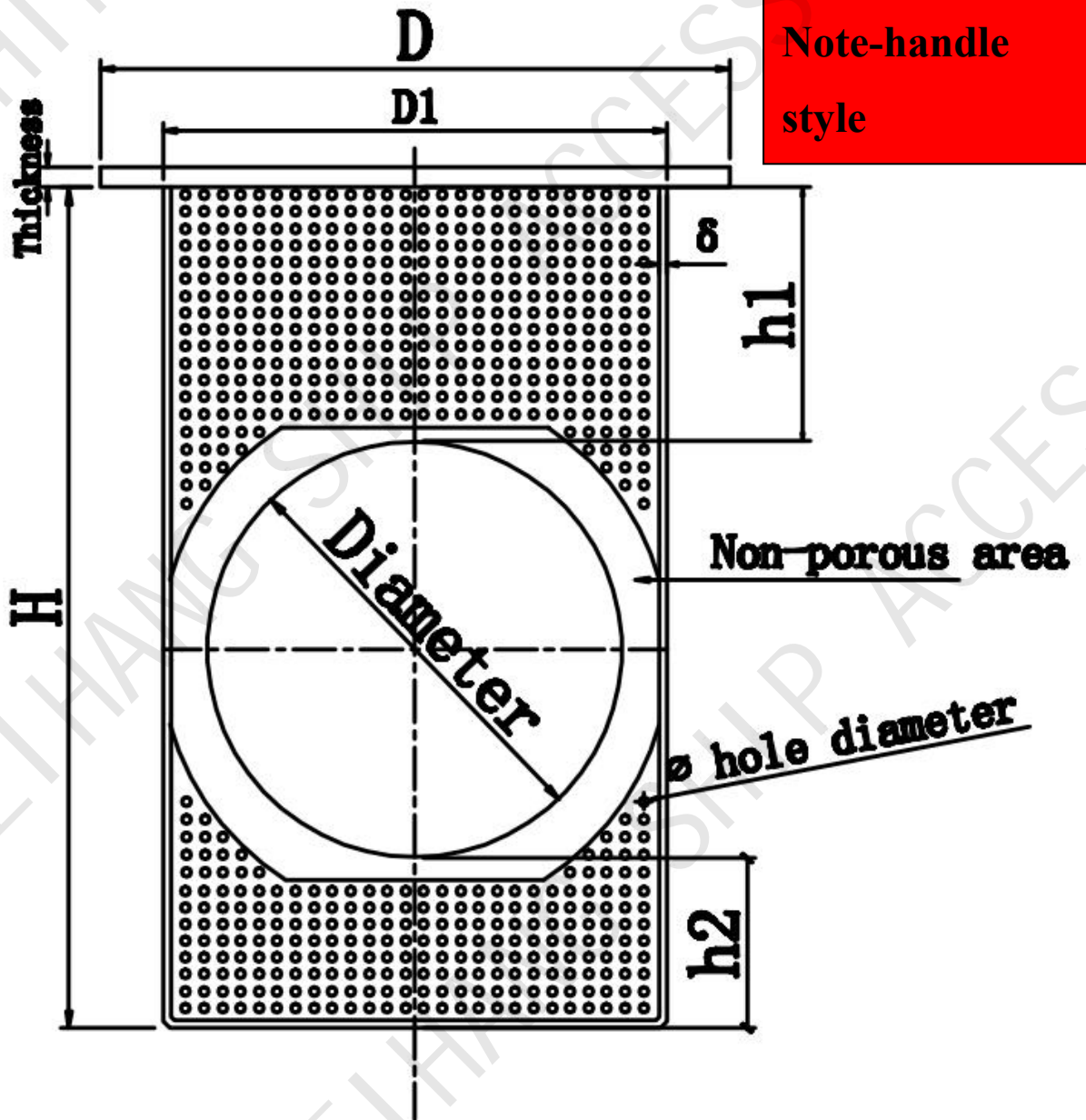
**PARAMETER SELECTIONTABLE**

**<BASKET TYPE>**

**<NON-STANDARD CUSTOMIZATION>**

***Please provide the size according to the model drawing***

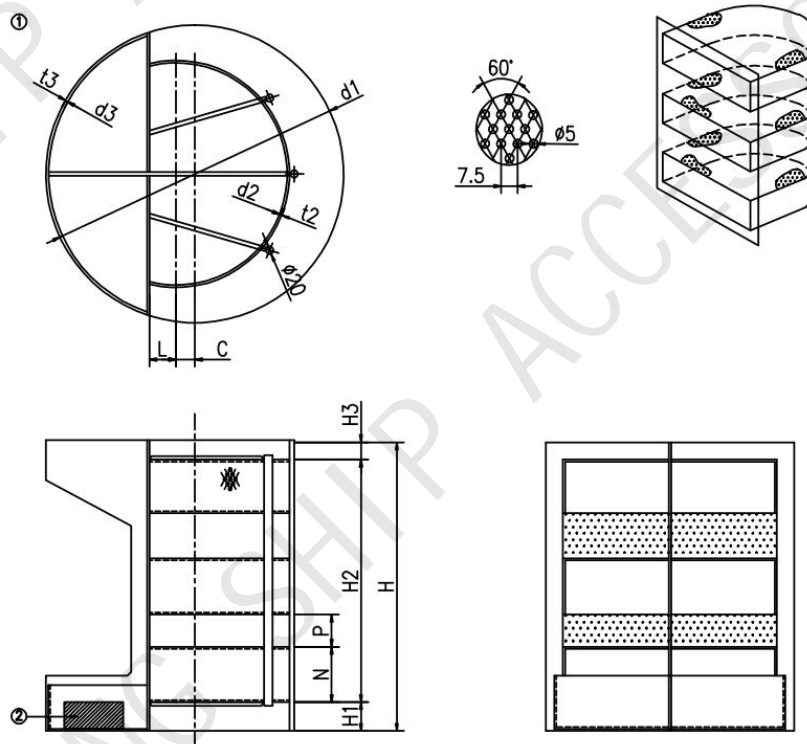
**Please  
Note-handle  
style**



# PARAMETER SELECTIONTABLE

## <CYLINDRICAL CORRUGATED TYPE>

**Please provide the size according to the model drawing**



**NOTE:**

1. THE OTHER DIMENSION TO BE MAKER STANDARD.
2. A PROTECTING ANODE IS INSTALLED FOR FILTER ELEMENT, INSPECT IT EVERY 1.5 YEAR AND CHANGE TO NEW ONE IF RUN OUT

N/D	d1	d2	d3	t2	N	P	H	H1	H2	H3	B	C	L
450	556	451	535	4.5	125	120	940	40	860	40	493	10	110
500	626	521	605	4.5	130	120	975	47.5	880	47.5	561	30	100
550	696	591	675	4.5	130	130	1030	60	910	60	630	40	100
600	776	671	755	4.5	145	130	1100	65	970	65	708	50	100
650	846	741	825	4.5	155	130	1145	67.5	1010	67.5	784	75	75
700	916	808	892	4.5	160	130	1175	72.5	1030	72.5	850	100	60
750	986	878	962	4.5	180	130	1240	65	1110	65	917	110	60
800	1056	948	1032	4.5	185	130	1270	70	1130	70	992	130	40
900	1116	968	1090	4.5	195	150	1375	72.5	1230	72.5	1020	126	90
1000	1266	1068	1240	4.5	215	150	1465	77.5	1310	77.5	1120	183	100
1100	1416	1168	1390	4.5	250	150	1625	87.5	1450	87.5	1220	248	100

**IF THE SIZE IS DIFFERENT, PLEASE MARK!**